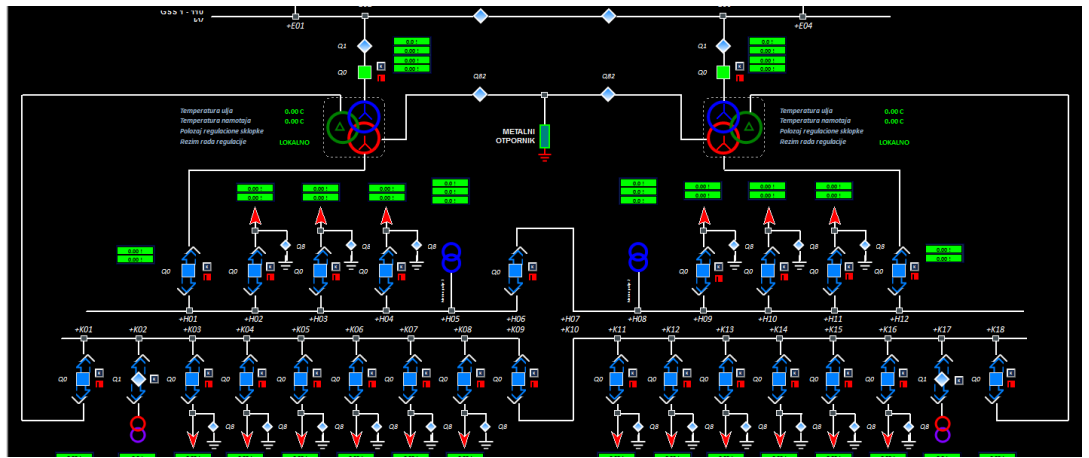




DISTRIBUTION AUTOMATION



DISTRIBUTION AUTOMATION

Our Distribution Automation (DA) services span the entire life cycle of DA programs. Qualus possesses extensive experience in all aspects of distribution grid modernization and has a keen understanding of automation’s role in meeting the demands of a modern grid, whether the goal is improved reliability, enhanced resilience or increased flexibility to support higher penetration of distributed generation. Additionally, we have experience in distribution voltage management solutions to improve customer service, reduce energy or peak demand, or respond to DER impacts.

DA systems and devices play a critical role in unlocking the capability and value of Advanced Distribution Management Systems (ADMS). The grid visibility, monitoring, and control that DA provides are essential for and leverage many other systems, technology platforms, and data sources. In addition to ADMS, our team has also integrated D-SCADA systems with Advanced Metering Infrastructure (AMI), Distributed Energy Resource Management Systems (DERMS), Outage Management Systems (OMS), Energy Management Systems (EMS), and other critical operational platforms.

SERVICE OFFERINGS

STRATEGY & ROADMAPS

- Reliability & Resiliency Enhancement Strategies
- DA Alignment with Broader Grid Modernization Strategies
- DA Technical & Business Roadmaps
- Business Case Development & Investment Justification
- Regulatory Support
- Industry Best Practices/Peer Group Discovery

PROCUREMENT & PLANNING

- RFP Development & Support
- Equipment & System Evaluation
- Vendor Contract SOW Development
- DA Requirements Definition
- Distribution System Planning
- Device Location Strategies & Identification
- Pilot Project Planning & Design

SYSTEM IMPLEMENTATION

- System Architecture – IT, DA Platform, Telecommunications, Data
- Systems Integration
- Test Management, Coordination, and Performance
- Cyber Security Solutions

PROGRAM IMPLEMENTATION

- Program Management - PMO, Project Leads
- Business Process Redesign
- Organizational Change Management
- Training
- Benefits Realization Tracking Methodology & Results

FIELD DEVICE DEPLOYMENT

- Engineering Services
- Protection Settings Development
- Testing & Commissioning